

Drilling Fluid Processing Plants

Pump, Mixing and Recycling Units



По вопросам продаж и поддержки обращайтесь:

Архангельск (8182)63-90-72
Астана +7(7172)727-132
Белгород (4722)40-23-64
Брянск (4832)59-03-52
Владивосток (423)249-28-31
Волгоград (844)278-03-48
Вологда (8172)26-41-59
Воронеж (473)204-51-73
Екатеринбург (343)384-55-89
Иваново (4932)77-34-06
Ижевск (3412)26-03-58
Казань (843)206-01-48

Калининград (4012)72-03-81
Калуга (4842)92-23-67
Кемерово (3842)65-04-62
Киров (8332)68-02-04
Краснодар (861)203-40-90
Красноярск (391)204-63-61
Курск (4712)77-13-04
Липецк (4742)52-20-81
Магнитогорск (3519)55-03-13
Москва (495)268-04-70
Мурманск (8152)59-64-93
Набережные Челны (8552)20-53-41

Нижний Новгород (831)429-08-12
Новокузнецк (3843)20-46-81
Новосибирск (383)227-86-73
Орел (4862)44-53-42
Оренбург (3532)37-68-04
Пенза (8412)22-31-16
Пермь (342)205-81-47
Ростов-на-Дону (863)308-18-15
Рязань (4912)46-61-64
Самара (846)206-03-16
Санкт-Петербург (812)309-46-40
Саратов (845)249-38-78

Смоленск (4812)29-41-54
Сочи (862)225-72-31
Ставрополь (8652)20-65-13
Тверь (4822)63-31-35
Томск (3822)98-41-53
Тула (4872)74-02-29
Тюмень (3452)66-21-18
Ульяновск (8422)24-23-59
Уфа (347)229-48-12
Челябинск (351)202-03-61
Череповец (8202)49-02-64
Ярославль (4852)69-52-93

Единый адрес для всех регионов: pxd@nt-rt.ru || www.pd.nt-rt.ru





fluid moving!

PD X-1.000 HDD, PD X-2.000 HDD, PD X-3.000 HDD

The X-series pump developed by **PRIME DRILLING®** and **Prime-GPT** impresses with its robust and low-wear design. The 7-times bearing mounted drive shaft, which is equipped with 3 eccentric discs, replaces the conventional crankshaft.

Due to the revolution of these shafts and their maximum 255 rotations per minute operational wear is reduced to a minimum.

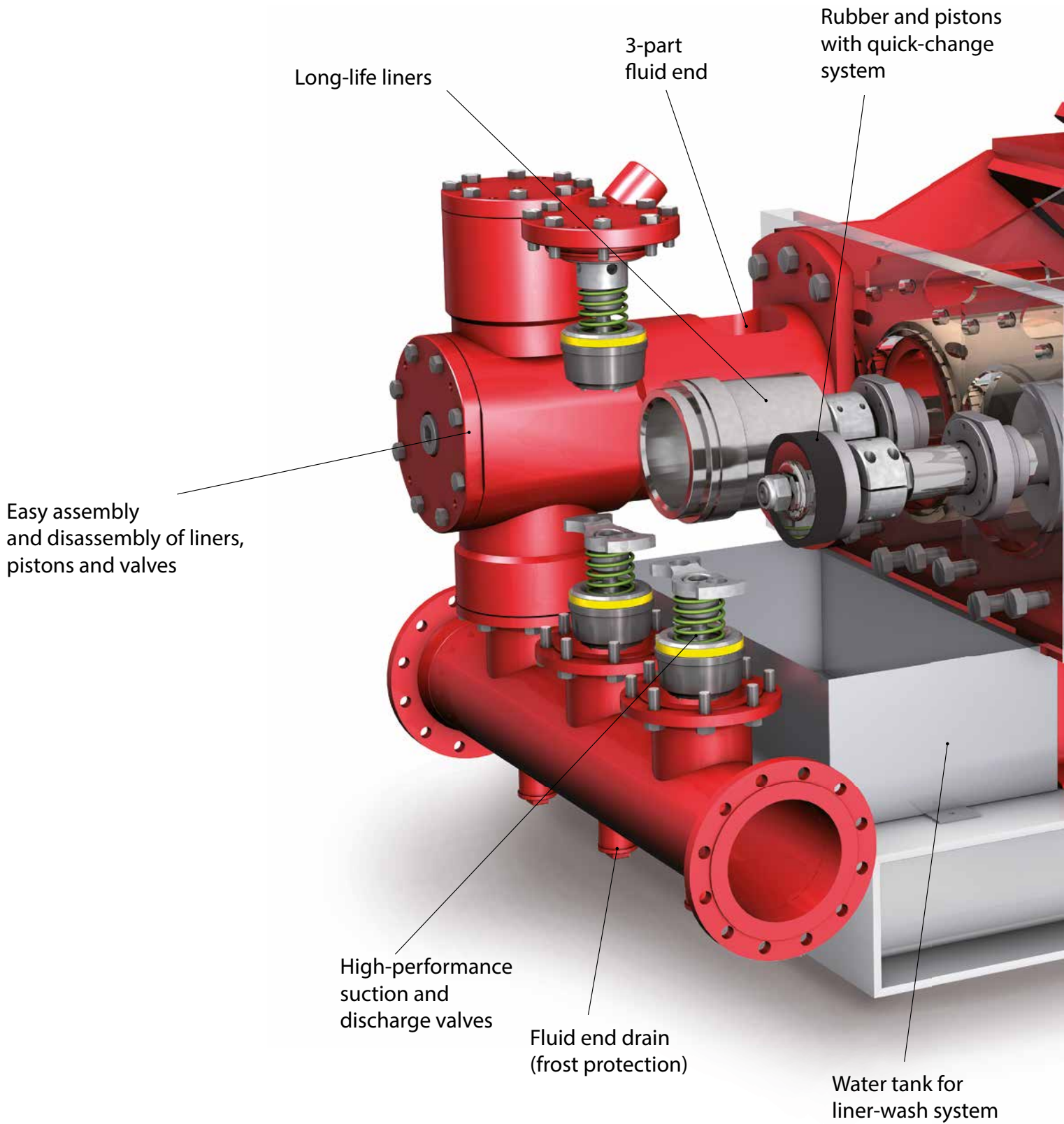
The use of most modern hydraulic components enable continuous control of the shaft pump speed and the thus generated linear speed of pistons or rather the flow rate of the drilling fluid by the speed of the hydraulic motor speed. The pump has a compact design and is installed into a silenced 20 ft. container. The integrated skid system allows to pull the pump out of the container fast and easily for service and maintenance. The container is designed as such to enable fast and easy transport with a twist-lock system.

Pump type	Power rating /motor	Stroke max.	Volume rate max.	Pressure max.	Container size
PD X-1.000 0,8 HP	130 kW	150 rpm	830 l/min	150 bar	20 ft.
PD X-1.000 1,1 HP	180 kW	200 rpm	1,110 l/min	155 bar	20 ft.
PD X-1.000 1,4 HP	240 kW	255 rpm	1,420 l/min	165 bar	20 ft.
PD X-2.000 1,6 HP	260 kW	155 rpm	1,610 l/min	210 bar	20 ft.
PD X-2.000 2,1 HP	330 kW	200 rpm	2,080 l/min	210 bar	20 ft.
PD X-2.000 2,4 HP	380 kW	235 rpm	2,450 l/min	205 bar	20 ft.
PD X-3.000 2,7 HP	470 kW	180 rpm	2,740 l/min	260 bar	20 ft.
PD X-3.000 3,0 HP	470 kW	200 rpm	3,040 l/min	235 bar	20 ft.
PD X-3.000 3,5 HP	570 kW	230 rpm	3,500 l/min	245 bar	20 ft.

Detailed information please see page 8-9







Long-life liners

3-part
fluid end

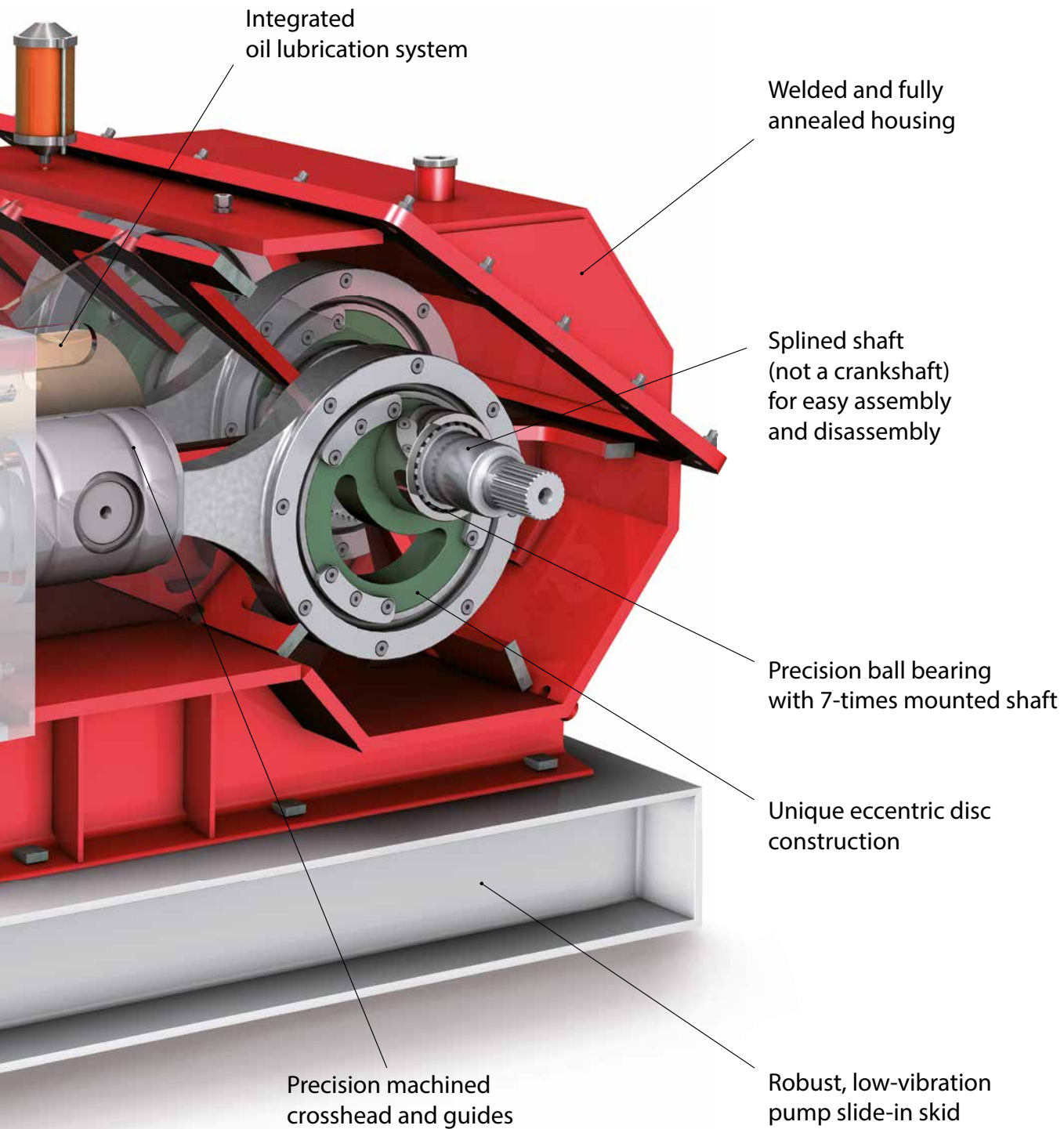
Rubber and pistons
with quick-change
system

Easy assembly
and disassembly of liners,
pistons and valves

High-performance
suction and
discharge valves

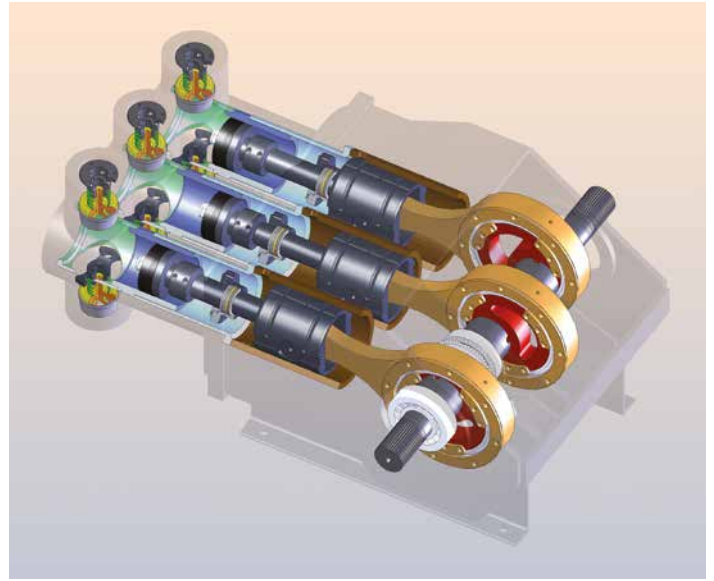
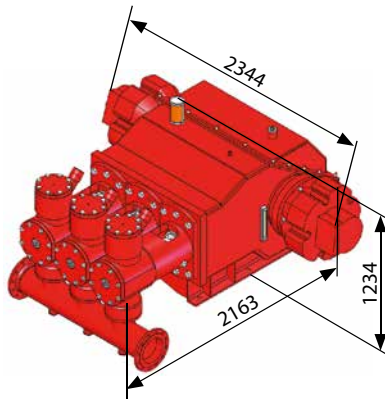
Fluid end drain
(frost protection)

Water tank for
liner-wash system



X-3.000 HDD

Stroke: 7"



PD X-3.000 · 2,7 LP · 330 kW

Ø	60 rpm	90 rpm	120 rpm	150 rpm	180 rpm
7,5 in	910 lpm	1,370 lpm	1,820 lpm	2,280 lpm	2,740 lpm
	50 bar	50 bar	50 bar	50 bar	50 bar
7,0 in	790 lpm	1,190 lpm	1,590 lpm	1,990 lpm	2,380 lpm
	60 bar	60 bar	60 bar	60 bar	60 bar
6 in	580 lpm	880 lpm	1,170 lpm	1,460 lpm	1,750 lpm
	80 bar	80 bar	80 bar	80 bar	80 bar
5 in	410 lpm	610 lpm	810 lpm	1,010 lpm	1,220 lpm
	115 bar	115 bar	115 bar	115 bar	115 bar
4 in	260 lpm	390 lpm	520 lpm	650 lpm	780 lpm
	180 bar	180 bar	180 bar	180 bar	180 bar

PD X-3.000 · 2,7 HP · 470 kW

Ø	60 rpm	90 rpm	120 rpm	150 rpm	180 rpm
7,5 in	910 lpm	1,370 lpm	1,820 lpm	2,280 lpm	2,740 lpm
	75 bar	75 bar	75 bar	75 bar	75 bar
7,0 in	790 lpm	1,190 lpm	1,590 lpm	1,990 lpm	2,380 lpm
	85 bar	85 bar	85 bar	85 bar	85 bar
6 in	580 lpm	880 lpm	1,170 lpm	1,460 lpm	1,750 lpm
	115 bar	115 bar	115 bar	115 bar	115 bar
5 in	410 lpm	610 lpm	810 lpm	1,010 lpm	1,220 lpm
	165 bar	165 bar	165 bar	165 bar	165 bar
4 in	260 lpm	390 lpm	520 lpm	650 lpm	780 lpm
	260 bar	260 bar	260 bar	260 bar	260 bar

PD X-3.000 · 3,0 LP · 330 kW

Ø	60 rpm	95 rpm	130 rpm	165 rpm	200 rpm
7,5 in	910 lpm	1,440 lpm	1,980 lpm	2,510 lpm	3,040 lpm
	45 bar	45 bar	45 bar	45 bar	45 bar
7,0 in	790 lpm	1,260 lpm	1,720 lpm	2,190 lpm	2,650 lpm
	55 bar	55 bar	55 bar	55 bar	55 bar
6 in	580 lpm	920 lpm	1,260 lpm	1,610 lpm	1,950 lpm
	75 bar	75 bar	75 bar	75 bar	75 bar
5 in	410 lpm	640 lpm	880 lpm	1,110 lpm	1,350 lpm
	105 bar	105 bar	105 bar	105 bar	105 bar
4 in	260 lpm	410 lpm	560 lpm	710 lpm	860 lpm
	165 bar	165 bar	165 bar	165 bar	165 bar

PD X-3.000 · 3,0 HP · 470 kW

Ø	60 rpm	95 rpm	130 rpm	165 rpm	200 rpm
7,5 in	910 lpm	1,440 lpm	1,980 lpm	2,510 lpm	3,040 lpm
	65 bar	65 bar	65 bar	65 bar	65 bar
7,0 in	790 lpm	1,260 lpm	1,720 lpm	2,190 lpm	2,650 lpm
	75 bar	75 bar	75 bar	75 bar	75 bar
6 in	580 lpm	920 lpm	1,260 lpm	1,610 lpm	1,950 lpm
	105 bar	105 bar	105 bar	105 bar	105 bar
5 in	410 lpm	640 lpm	880 lpm	1,110 lpm	1,350 lpm
	150 bar	150 bar	150 bar	150 bar	150 bar
4 in	260 lpm	410 lpm	560 lpm	710 lpm	860 lpm
	235 bar	235 bar	235 bar	235 bar	235 bar

PD X-3.000 · 3,5 LP · 390 kW

Ø	70 rpm	110 rpm	150 rpm	190 rpm	230 rpm
7,5 in	1,060 lpm	1,670 lpm	2,280 lpm	2,890 lpm	3,500 lpm
	50 bar	50 bar	50 bar	50 bar	50 bar
7,0 in	930 lpm	1,460 lpm	1,990 lpm	2,520 lpm	3,050 lpm
	55 bar	55 bar	55 bar	55 bar	55 bar
6 in	680 lpm	1,070 lpm	1,460 lpm	1,850 lpm	2,240 lpm
	75 bar	75 bar	75 bar	75 bar	75 bar
5 in	470 lpm	740 lpm	1,010 lpm	1,280 lpm	1,550 lpm
	110 bar	110 bar	110 bar	110 bar	110 bar
4 in	300 lpm	480 lpm	650 lpm	820 lpm	990 lpm
	170 bar	170 bar	170 bar	170 bar	170 bar

PD X-3.000 · 3,5 HP · 570 kW

Ø	70 rpm	110 rpm	150 rpm	190 rpm	230 rpm
7,5 in	1,060 lpm	1,670 lpm	2,280 lpm	2,890 lpm	3,500 lpm
	70 bar	70 bar	70 bar	70 bar	70 bar
7,0 in	930 lpm	1,460 lpm	1,990 lpm	2,520 lpm	3,050 lpm
	80 bar	80 bar	80 bar	80 bar	80 bar
6 in	680 lpm	1,070 lpm	1,460 lpm	1,850 lpm	2,240 lpm
	110 bar	110 bar	110 bar	110 bar	110 bar
5 in	470 lpm	740 lpm	1,010 lpm	1,280 lpm	1,550 lpm
	160 bar	160 bar	160 bar	160 bar	160 bar
4 in	300 lpm	480 lpm	650 lpm	820 lpm	990 lpm
	245 bar	245 bar	245 bar	245 bar	245 bar



PD M-1.000 E, PD M-2.000 E, PD M-3.000 E

The **PRIME DRILLING**® mixing units series PD M-1.000 E, PD M-2.000 E and PD M-3.000 E are tailor-made according to the specific requirements of the respective project in line with all our equipment.

A complete system type PD M-1.000 E, PD M-2.000 E or PD M-3.000 E consists of a 20 ft. container with integrated mixing unit or a separate 10 ft. mixing cube, that is placed in front of a mixing container. These two parts are connected by drilling fluid hoses to set up a closed mixing circuit.

The mixing units consist of a mixing container, a transfer pump with drive 22-45 kW and a mixing pump with drive 22-75 kW. The mixing cube is designed as modular system and can be extended or modified individually according to customer's requirements.



Mud Mixing Units

Type	Mixing pump	Transfer pump	Mixing power rate	Container size mixing cube	Container size per tank
PD M-1.000 0,8 E	22 kW	22 kW	800 l/min	10 ft.	20 ft.
PD M-1.000 1,1 E	22 kW	22 kW	1,000 l/min	10 ft.	20 ft.
PD M-1.000 1,4 E	22 kW	22 kW	1,400 l/min	10 ft.	20 ft.
PD M-2.000 1,6 E	22 kW	22 kW	1,600 l/min	10 ft.	20 ft.
PD M-2.000 2,1 E	45 kW	45 kW	2,100 l/min	10 ft.	3x 20 ft.
PD M-2.000 2,4 E	45 kW	45 kW	2,400 l/min	10 ft.	3x 20 ft.
PD M-3.000 2,7 E	45 kW	45 kW	2,700 l/min	10 ft.	40 ft.
PD M-3.000 3,0 E	75 kW	45 kW	3,000 l/min	10 ft.	40 ft.
PD M-3.000 3,5 E	75 kW	45kW	3,500 l/min	10 ft.	40 ft.



PD R-1.000 E, PD R-2.000 E, PD R-3.000 E

To protect the environment and to save costs we also supply mud recycling units for reprocessing of the drilling fluid when contaminated by sand and mud. The mud recycling units are equipped with sieve screens and hydrocyclones (so called „desanders“ and „desilters“), which wash the solids out of the drilling fluid to less than 1 % and thus minimize wear of the pump.

Due to the modular construction (20 ft. container) a maximum of flexibility is guaranteed. Our systems excel in easy handling for height adjustment, quick-change systems for the sieve screens as well as worldwide availability of replacement sieve elements of any size. The circulation pumps, which feed the drilling fluid into the recycling circuit and the transfer pumps are equipped with electric motors. Depending on the size of the recycling unit, the recycling volume rates are from 800 to 3,500 l/min.



Mud Recycling Units

Type	Loading pump	Transfer pump	Recycling power rate	Container size platform	Container size tank
PD R-1.000 0,8 E	45 kW	15 kW	800 l/min	2x 15 ft.	20 ft.
PD R-1.000 1,1 E	45 kW	15 kW	1,100 l/min	2x 15 ft.	20 ft.
PD R-1.000 1,4 E	45 kW	15 kW	1,400 l/min	2x 15 ft.	20 ft.
PD R-2.000 1,6 E	55 kW	22 kW	1,600 l/min	2x 15 ft.	20 ft.
PD R-2.000 2,1 E	55 kW	22 kW	2,100 l/min	2x 15 ft.	20 ft.
PD R-2.000 2,4 E	55 kW	22 kW	2,400 l/min	2x 15 ft.	20 ft.
PD R-3.000 2,7 E	75 kW	45 kW	2,700 l/min	2x 15 ft.	20 ft.
PD R-3.000 3,0 E	75 kW	45 kW	3,000 l/min	3x 15 ft.	20 ft.
PD R-3.000 3,5 E	75 kW	45 kW	3,500 l/min	3x 15 ft.	20 ft.



We know that time is money

Therefore we believe that you need a supplier who knows more than how to take a pump apart.

We offer professional service not only for the X-pumps, but also for all major pump brands. Our specialists are well trained in the repair of reciprocating and centrifugal pumps .

Our extensive service includes from oil change up to a complete overhaul with a fresh painting in every desired colour.

We purchase our spare parts directly from all major pump manufactures such as FMC, Weatherford, Kerr, Gardner Denver, MCM, Flomax etc. Most spare parts are directly available from our well-equipped warehouse in Wenden, Germany. Even when a pump is obsolete we can supply spare parts.

Our workshop is well equipped to do all kind of repairs, for example for the overhaul and repair of defective crankshafts.

Of course we also offer pump service and repairs directly on your jobsite.

Whether you are planning a new project or just wish to optimize your current pump facilities, we would be pleased to provide our advice and support.







По вопросам продаж и поддержки обращайтесь:

Архангельск (8182)63-90-72
Астана +7(7172)727-132
Белгород (4722)40-23-64
Брянск (4832)59-03-52
Владивосток (423)249-28-31
Волгоград (844)278-03-48
Вологда (8172)26-41-59
Воронеж (473)204-51-73
Екатеринбург (343)384-55-89
Иваново (4932)77-34-06
Ижевск (3412)26-03-58
Казань (843)206-01-48

Калининград (4012)72-03-81
Калуга (4842)92-23-67
Кемерово (3842)65-04-62
Киров (8332)68-02-04
Краснодар (861)203-40-90
Красноярск (391)204-63-61
Курск (4712)77-13-04
Липецк (4742)52-20-81
Магнитогорск (3519)55-03-13
Москва (495)268-04-70
Мурманск (8152)59-64-93
Набережные Челны (8552)20-53-41

Нижний Новгород (831)429-08-12
Новокузнецк (3843)20-46-81
Новосибирск (383)227-86-73
Орел (4862)44-53-42
Оренбург (3532)37-68-04
Пенза (8412)22-31-16
Пермь (342)205-81-47
Ростов-на-Дону (863)308-18-15
Рязань (4912)46-61-64
Самара (846)206-03-16
Санкт-Петербург (812)309-46-40
Саратов (845)249-38-78

Смоленск (4812)29-41-54
Сочи (862)225-72-31
Ставрополь (8652)20-65-13
Тверь (4822)63-31-35
Томск (3822)98-41-53
Тула (4872)74-02-29
Тюмень (3452)66-21-18
Ульяновск (8422)24-23-59
Уфа (347)229-48-12
Челябинск (351)202-03-61
Череповец (8202)49-02-64
Ярославль (4852)69-52-93

Единый адрес для всех регионов: pxd@nt-rt.ru || www.pd.nt-rt.ru

...keeps your fluid moving!