

BRAND-NEW

Rock Drilling Rig with Prime Double Rod System and with „on board“ pump

- HDD-Compact Rig for rock drilling equipped with double rod magazine
- First rock drilling rig in this high-performance category (> 50 t)
- Inner and outer rods are independently driven by two slidable rotary heads
- high torque (up to 90,000 kN)
- Use of any common locating system possible
- Application with standard drill pipes (2 7/8", 3 1/2", 4 1/2")



По вопросам продаж и поддержки обращайтесь:

Архангельск (8182)63-90-72
Астана +7(7172)727-132
Белгород (4722)40-23-64
Брянск (4832)59-03-52
Владивосток (423)249-28-31
Волгоград (844)278-03-48
Вологда (8172)26-41-59
Воронеж (473)204-51-73
Екатеринбург (343)384-55-89
Иваново (4932)77-34-06
Ижевск (3412)26-03-58
Казань (843)206-01-48

Калининград (4012)72-03-81
Калуга (4842)92-23-67
Кемерово (3842)65-04-62
Киров (8332)68-02-04
Краснодар (861)203-40-90
Красноярск (391)204-63-61
Курск (4712)77-13-04
Липецк (4742)52-20-81
Магнитогорск (3519)55-03-13
Москва (495)268-04-70
Мурманск (8152)59-64-93
Набережные Челны (8552)20-53-41

Нижний Новгород (831)429-08-12
Новокузнецк (3843)20-46-81
Новосибирск (383)227-86-73
Орел (4862)44-53-42
Оренбург (3532)37-68-04
Пенза (8412)22-31-16
Пермь (342)205-81-47
Ростов-на-Дону (863)308-18-15
Рязань (4912)46-61-64
Самара (846)206-03-16
Санкт-Петербург (812)309-46-40
Саратов (845)249-38-78

Смоленск (4812)29-41-54
Сочи (862)225-72-31
Ставрополь (8652)20-65-13
Тверь (4822)63-31-35
Томск (3822)98-41-53
Тула (4872)74-02-29
Тюмень (3452)66-21-18
Ульяновск (8422)24-23-59
Уфа (347)229-48-12
Челябинск (351)202-03-61
Череповец (8202)49-02-64
Ярославль (4852)69-52-93

Единый адрес для всех регионов: pxd@nt-rt.ru || www.pd.nt-rt.ru



Rock Drilling Rig with Prime Double Rod System and with „on board“ X-pump, 400 kN - 1,500 kN pull force (40 t - 150 t) 20 kNm - 90 kNm torque

PRIME DRILLING® operates worldwide and is specialized in Horizontal Drilling Technology. With our optimized products and 35 years of experience in the construction of HDD-rigs we have set standards in the international HDD-industry.

Quality and Reliability „Made in Germany“

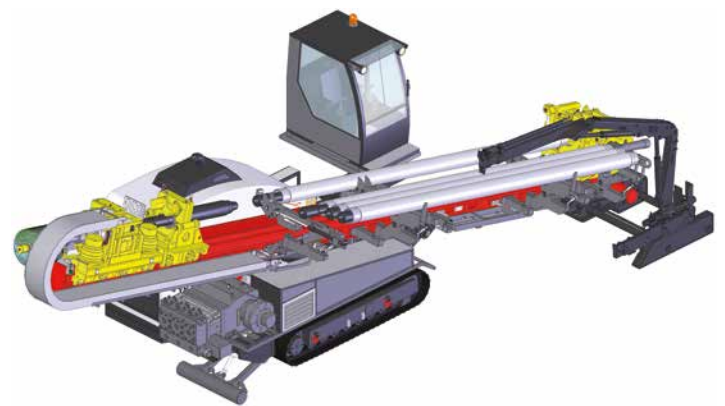
Product quality is the highest priority at PRIME DRILLING®. That is why we keep development, manufacture and assembly entirely under one roof at our facility in Wenden, Germany. It enables short development phases and optimised manufacturing processes under compliance with the highest quality standards.

Our qualified and highly motivated employees ensure utmost quality, safety and delivery reliability. Our PRIME DRILLING modular construction system enables the customer to have flexibility in choosing pull force and torque of his rig.

The first-class quality of design, manufacture and assembly is a guarantee for high technology products with maximum reliability and extra long service life.

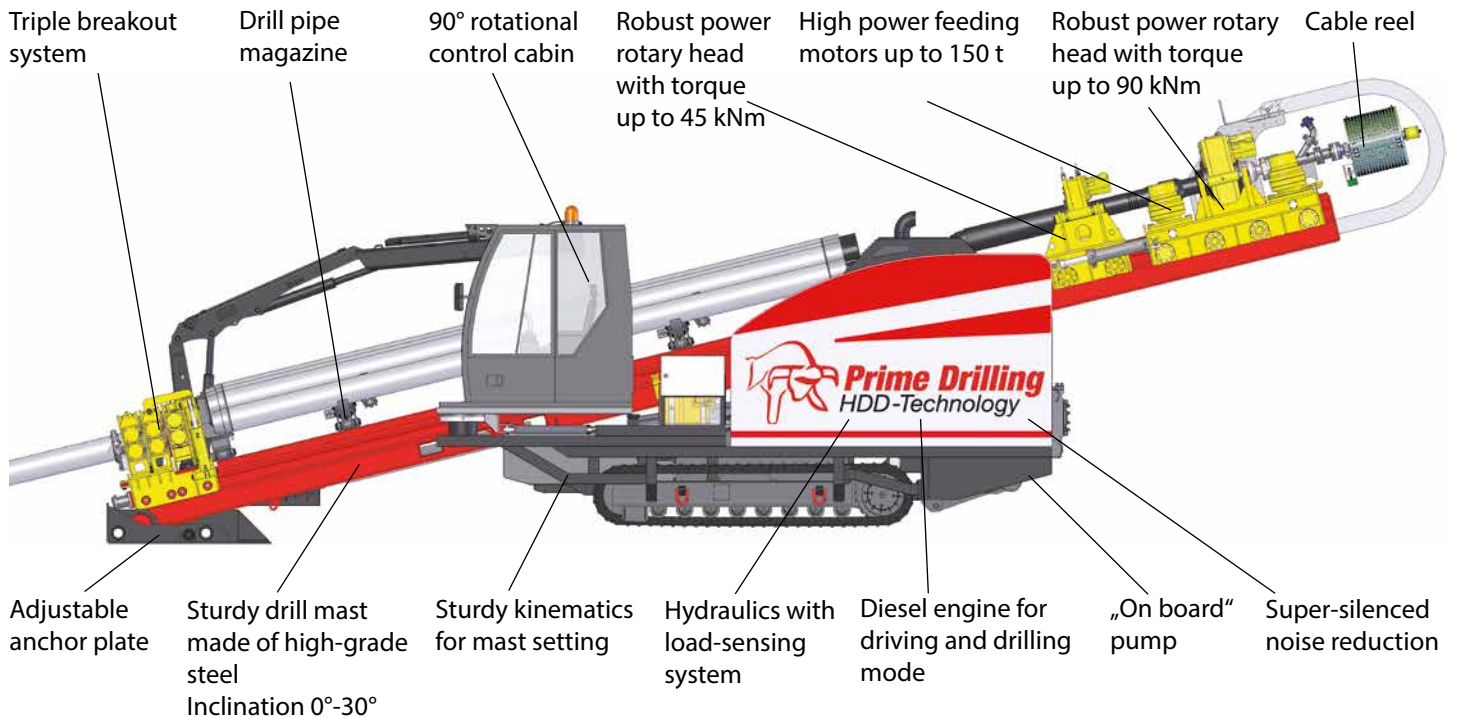
Patented technology, robust construction, high torque and years of experience are only a few of the many powerful features that make PRIME DRILLING® the global market leader for HDD-technology.

Whether you are executing projects in the Arctic at -40°C or in the Sahara at +40°C - PRIME DRILLING® Horizontal Directional Drilling Rigs are known for their performances, reliability, low-maintenance designs and easy operation. Our designs and technical features ensure maximum comfort and increased overall productivity.



Pump capacity:
1,029 l/min at 40 bar
1,630 l/min at 55 bar





Crawler carriage with on-board mounted control cabin

Our Rock Drilling Rigs in the category of 400 to 1,500 kN pull force are powerful and technical fully developed devices. Due to their compact structure time requirements for setting up of the drill mast in both drilling or transport positions are reduced to a minimum.

All driving, setting and drilling functions are actuated by a water-cooled diesel engine. Feed as well pull back function of the hydraulic power rotary head are carefully driven by rack & pinion (RP) feed system. With our HDD-rigs of type 40 to 150 t, drillings in the most difficult geological formations are achievable.

Our Rock Drilling Rigs can be equipped with a fully automatic drill pipe magazine or, alternatively, with a semi-automatic drill pipe supply.

The optionally available control cabin is equipped with ergonomic seat, heating and radio. Further options like air conditioning, drill data log-in system etc. are available on request. The special feature of our Compact-Rig is the **„on board“ pump**. This saves space during transport and also offers greater flexibility on site.

Prime Drilling is the only manufacturer who can use any common locating system with a double rod.

Options, compatibility and versions

- ✓ Standard equipment
- Optional non standard equipment

	PD 40 RS	PD 60 RS	PD 80 RS	PD 100 RS	PD 150 RS
On crawler	✓	✓	✓	✓	✓
On board control cabin	✓	✓	✓	✓	✓
Drill pipe 6 or 9.6 m	✓	✓	✓	✓	✓
Power rating 242 kW	✓	✓	✓	●	●
Power rating 330 kW	●	●	●	✓	✓
Torque 20 - 30 kNm	✓	✓	●	●	●
Torque 30 - 50 kNm	✓	✓	✓	✓	●
Torque 50 - 70 kNm	●	●	✓	✓	✓
Torque 70 - 90 kNm	●	●	●	●	✓
„On board“ pump	✓	✓	✓	✓	✓

Standard and optional equipment



Mud swivel on tapered roller bearing



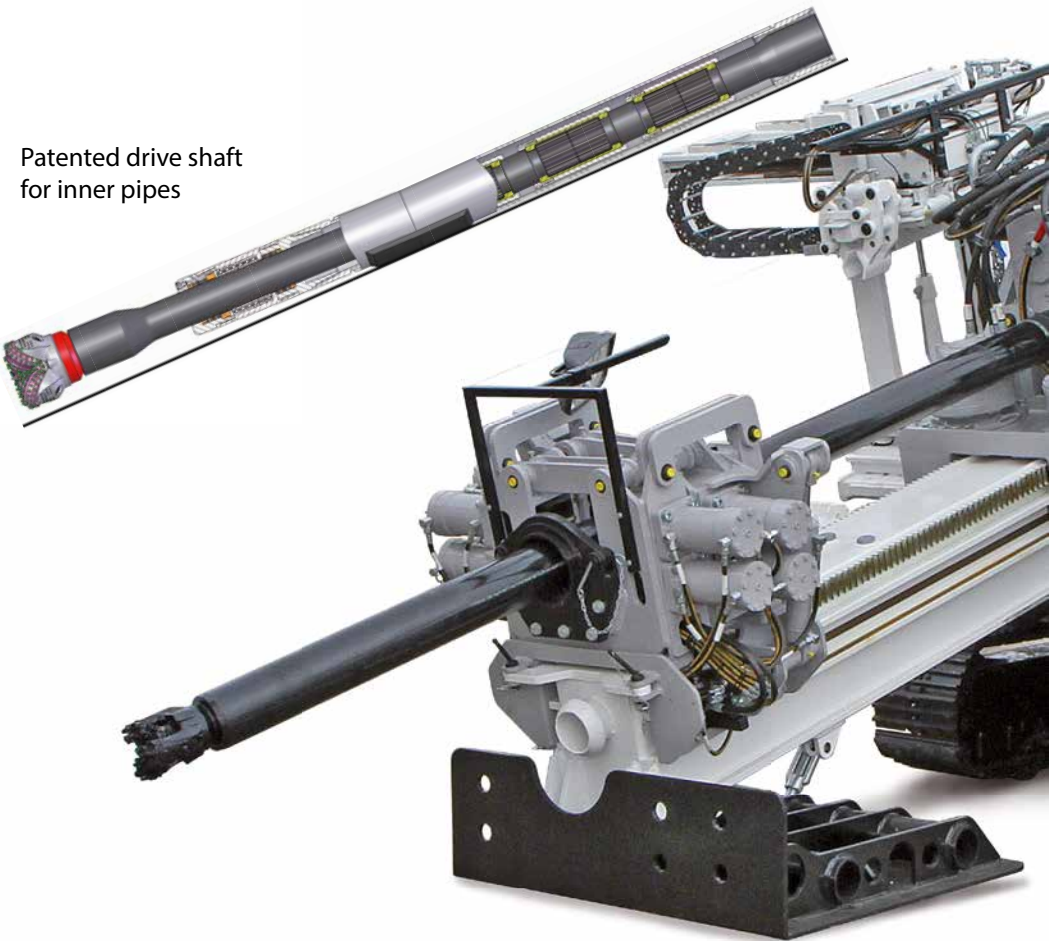
Cable reel with hydraulic motor and electric swivel guide



Robust double rotary head with torque of 20 kNm - 90 kNm



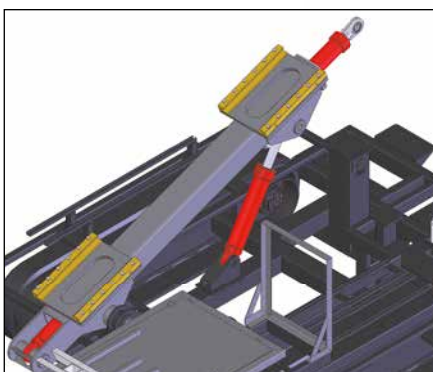
Optimum sound insulation



Patented drive shaft for inner pipes



Semi-automatic drill pipe supply for 5 drill pipes



Sturdy kinematics for mast setting



Remote control for drive modes



Fully automatic drill pipe magazine for 12 drill pipes



Drill data monitoring system records all drill data parameters



Triple breakout system



Camera and lights for power rotary head and breakout system



90° rotational control cabin including heating and air conditioning



Bentonite supply, hydraulically lockable with by-pass



Drill pipe crane with remote control



„On board“ pump



Automatic drill pipe lubrication system







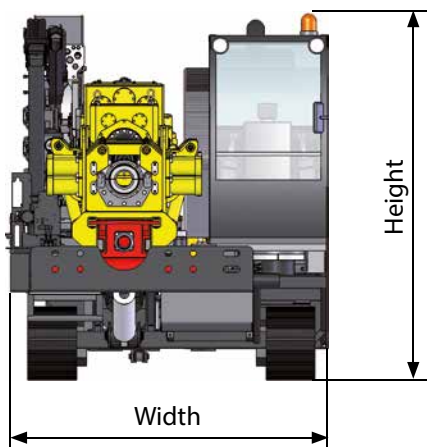
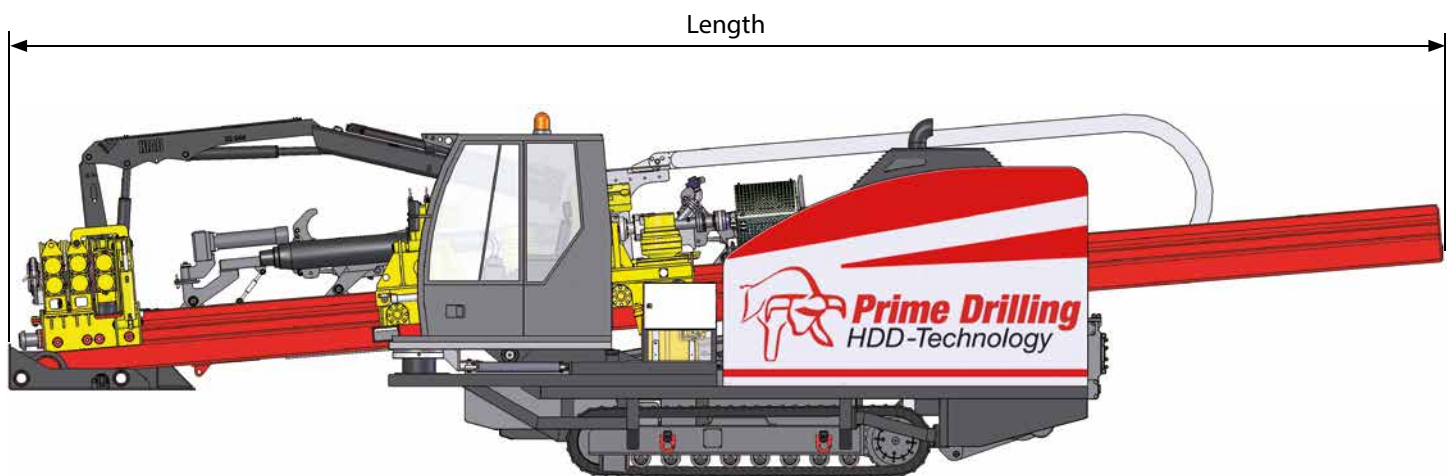






PD 40 - 150 RS

	PD 40 RS	PD 60 RS	PD 80 RS	PD 100 RS	PD 150 RS
Pull force	40 t	60 t	80 t	100 t	150 t
Torque rotary head 1	20 kNm	20 kNm	30 kNm	40 kNm	40 kNm
Torque rotary head 2	30 kNm	40 kNm	50 kNm	70 kNm	90 kNm
Inclination angle	0° - 30°	0° - 30°	0° - 30°	0° - 16°	0° - 16°
Power rating/motor	242 kW	242 kW	242 kW	330 kW	330 kW
Noise volume max.	78 dB (A)	78 dB (A)	78 dB (A)	78 dB (A)	78 dB (A)
Transportation length	10.5 m	10.5 m	11.5 m	11.5 m	11.5 m
Transportation width	2.5 m	2.5 m	2.5 m	2.5 m	2.5 m
Transportation height	2.9 m	2.9 m	2.9 m	2.9 m	2.9 m
Weight of basic rig	19,000 kg	19,700 kg	20,500 kg	25,000 kg	27,000 kg



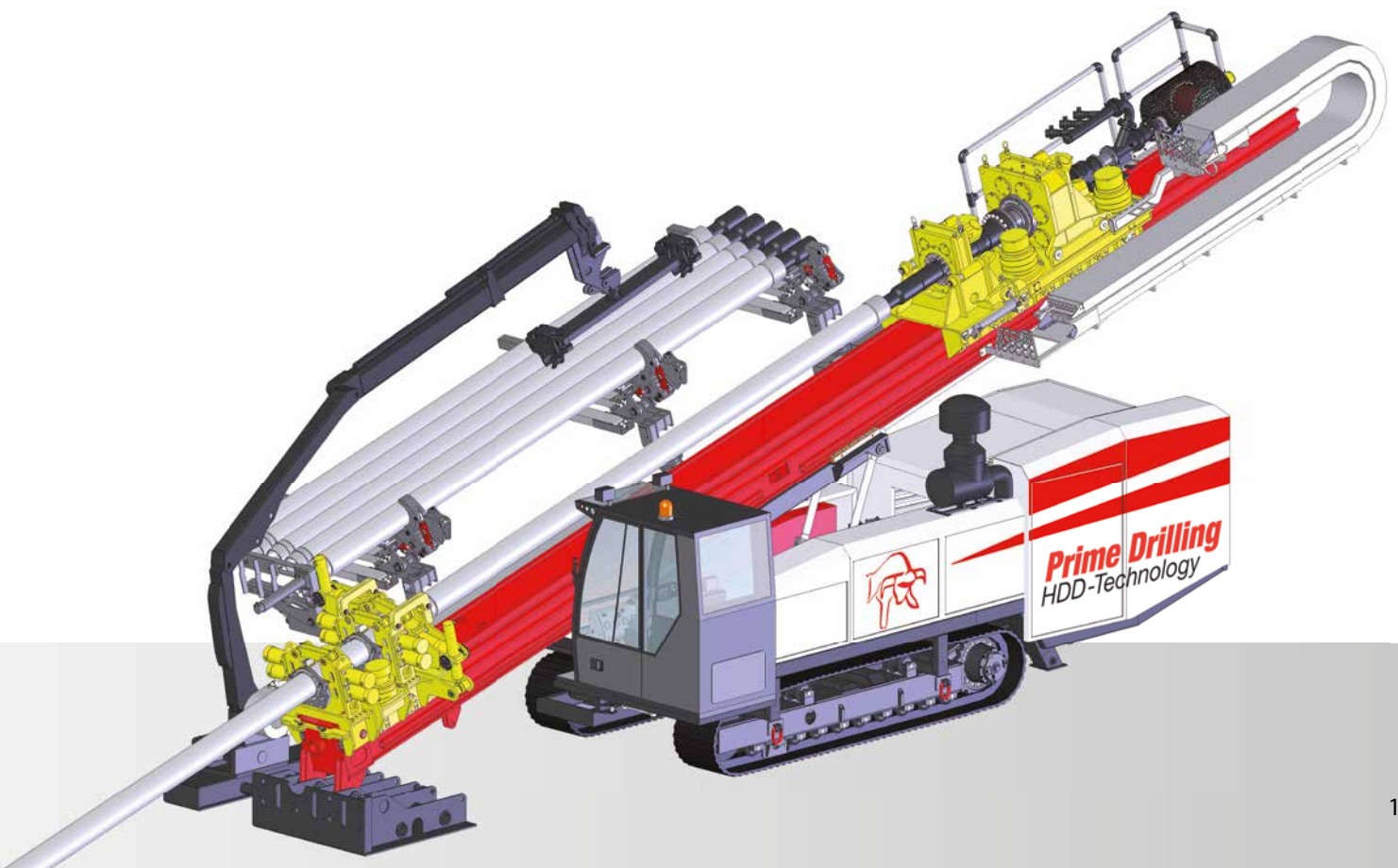
„On board“ pump with 242 kW motor

	X - 1.000 CU				
Power	87 kW	87 kW	87 kW	87 kW	87 kW
Speed	185 rpm	185rpm	185 rpm	185 rpm	185 rpm
Diameter	4"	4.5"	5"	5.5"	6"
Volume rate	457 l/min	579 l/min	714 l/min	864 l/min	1,029 l/min
Mud motor	90 bar	71 bar	58 bar	48 bar	40 bar
Reaming mode	68 bar	53 bar	43 bar	36 bar	30 bar



„On board“ pump with 330 kW motor

	X - 1.600 CU				
Power	138 kW	138 kW	138 kW	138 kW	138 kW
Speed	250 rpm	250 rpm	250 rpm	250 rpm	250 rpm
Diameter	4.5"	5"	5.5"	6"	6.5"
Volume rate	780 l/min	970 l/min	1,170 l/min	1,390 l/min	1,630 l/min
Mud motor	115 bar	93 bar	77 bar	65 bar	55 bar
Reaming mode	63 bar	51 bar	42 bar	35 bar	30 bar



HDD-accessories



Directional drill pipes

Size	Drill pipe length	Thread type Ø	Weight
3 1/2"	6.000 mm	2 7/8" IF	130 kg
3 1/2"	6.000 mm	3 1/2" IF	140 kg
3 1/2"	9.600 mm	3 1/2" IF	195 kg
5"	6.000 mm	4 1/2" IF	205 kg
5"	9.600 mm	4 1/2" IF	330 kg
6 5/8"	9.600 mm	6 5/8" Reg	485 kg



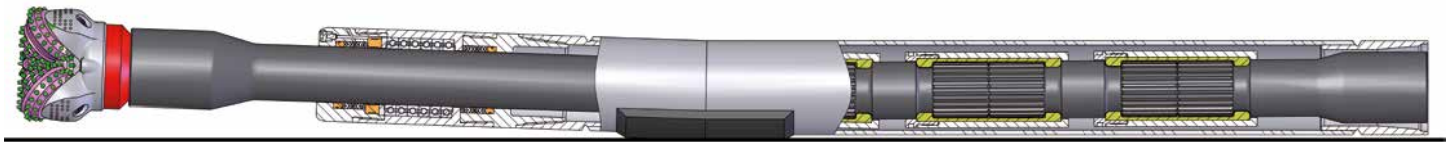
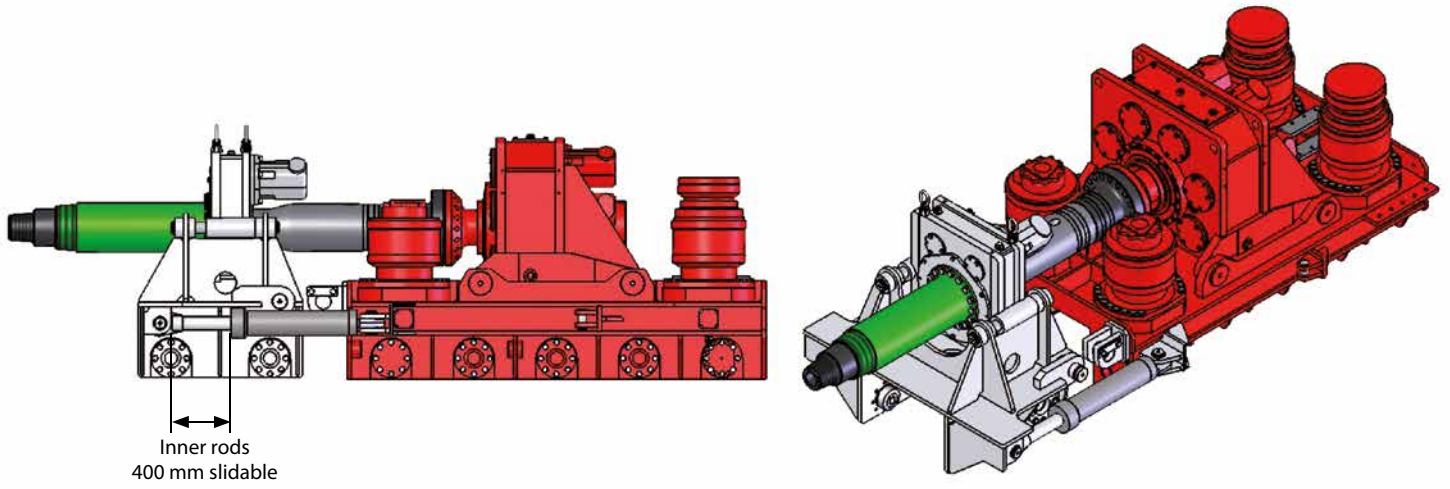
Outer drill pipes

Size	Drill pipe length	Weight
188 mm	6.000 mm	300 kg
188 mm	9.600 mm	490 kg
229 mm	6.000 mm	360 kg
229 mm	9.600 mm	570 kg



Our philosophy is SAFETY FIRST

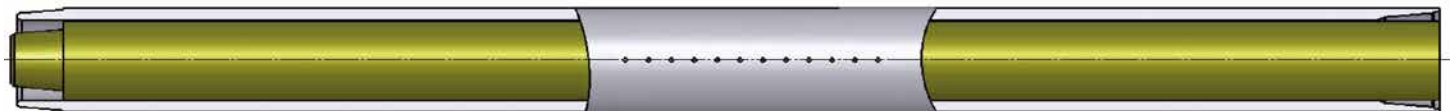
PRIME DRILLING® guarantees with its HDD-drill technical components utmost safety for trouble-free operation on site. **PRIME DRILLING®** supplies a wide range of accessories. You will find details in our catalogue.



Bent sub with drive shaft



Anti-mag double rods with steering tool 2



Gyro compass



Walkover system



PRIME DRILLING® has been manufacturing high-quality Drilling Rigs and components on its 4,000 m² production area and 800m² office area with nearly 70 employees since the year 2000.

По вопросам продаж и поддержки обращайтесь:

Архангельск (8182)63-90-72
Астана +7(7172)727-132
Белгород (4722)40-23-64
Брянск (4832)59-03-52
Владивосток (423)249-28-31
Волгоград (844)278-03-48
Вологда (8172)26-41-59
Воронеж (473)204-51-73
Екатеринбург (343)384-55-89
Иваново (4932)77-34-06
Ижевск (3412)26-03-58
Казань (843)206-01-48

Калининград (4012)72-03-81
Калуга (4842)92-23-67
Кемерово (3842)65-04-62
Киров (8332)68-02-04
Краснодар (861)203-40-90
Красноярск (391)204-63-61
Курск (4712)77-13-04
Липецк (4742)52-20-81
Магнитогорск (3519)55-03-13
Москва (495)268-04-70
Мурманск (8152)59-64-93
Набережные Челны (8552)20-53-41

Нижний Новгород (831)429-08-12
Новокузнецк (3843)20-46-81
Новосибирск (383)227-86-73
Орел (4862)44-53-42
Оренбург (3532)37-68-04
Пенза (8412)22-31-16
Пермь (342)205-81-47
Ростов-на-Дону (863)308-18-15
Рязань (4912)46-61-64
Самара (846)206-03-16
Санкт-Петербург (812)309-46-40
Саратов (845)249-38-78

Смоленск (4812)29-41-54
Сочи (862)225-72-31
Ставрополь (8652)20-65-13
Тверь (4822)63-31-35
Томск (3822)98-41-53
Тула (4872)74-02-29
Тюмень (3452)66-21-18
Ульяновск (8422)24-23-59
Уфа (347)229-48-12
Челябинск (351)202-03-61
Череповец (8202)49-02-64
Ярославль (4852)69-52-93